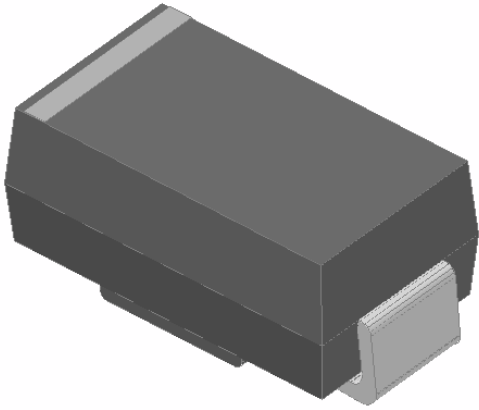




66 \$4 7+58 66 \$4

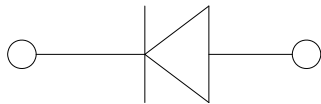
RoHS COMPLIANT

6XUIDFH ORXQW 6FKRWWN\ 5HF



)HDWXUHV
 /RZ SURILOH SDFNDJH
 ,GHDO IRW HDGX VQDFH PHQW
 *XDUGULQJ IRU RYHUYROWDJH SURWHFW
 /RZ SRZHU ORVVHV KLJK HIILF OHHWV
 RI &
 3DUW QR 4ZLVKDVXISL([TXDOLILHG

7\SLFDO \$SSOLFDWLRQV
)RU XVH LQ ORZ YROWDJH KLJK IUHTXH
 IUHHZKHHOLQJ 'LV' &D RYRPHUWLMH DQG S
 SURWHFWLRQ DSSOLFDWLRQV



OHFKDQLFDO 'DWD
 3DFNDJH2 \$& 60\$
 OROGLQJ FRPSXQG PHHWV DPPDELOLW\
 UDWLQJ 5R+6 FRPSOLDQW KDORJHQ IU
 7HUPLQDQVSODWHG OHGCV VROGHUDEOH
 - 67' DQG -(6' %
 3RODQDWKRGH OLVK HFORWKRGH HQG

VOD[LPXP 5DWLQJ8QOHVV RWKHUZLVH VSHFLILHG

3\$5\$0(7(5	6<0%2	81,7	66 \$4	66 \$4	66 \$4
'HYLFH PDUNLQJ FRGH			66 \$	66	\$ 66 \$
5HSHWLWLYH SHDN UHYHUVH YROWDJH	9	9			
OD[LPXP 506 YROWDJH	506	9			
OD[LPXP '& EORFNLQJ YROWDJH	9&	9			

OD[LPXP DYHUDJH IRUZDUG VHFWLILHG FXUHQW DW 7 \$

	-	-	a
--	---	---	---

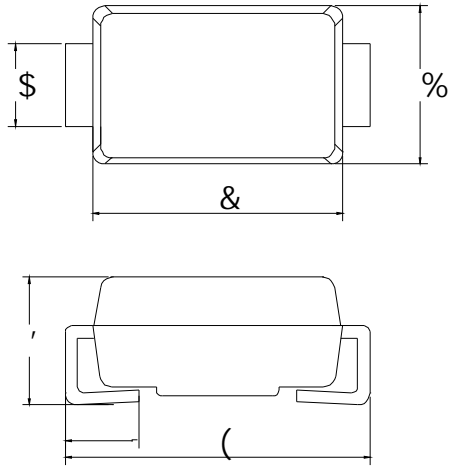
V(OHFWULFDO &KDUDF8QHUVW RWKHUZLVH VSHFLILHG

3\$5\$0(7(5	6<0%2	7(67 & 21',7,	7<3	0\$;	81,7
,QVWDQWDQHRXV IRUZDUG ,YROWDJH		7. -	9		9
5HYHUVH FXUUHQW	5	7. -	9		\$
		7. -			P\$
7\SLFDO MXQFWLRQ FDSDFLW DQFH5 9 I 0+] & 9					S)

6 6 \$ 4 7 + 5 8 6 6 \$ 4

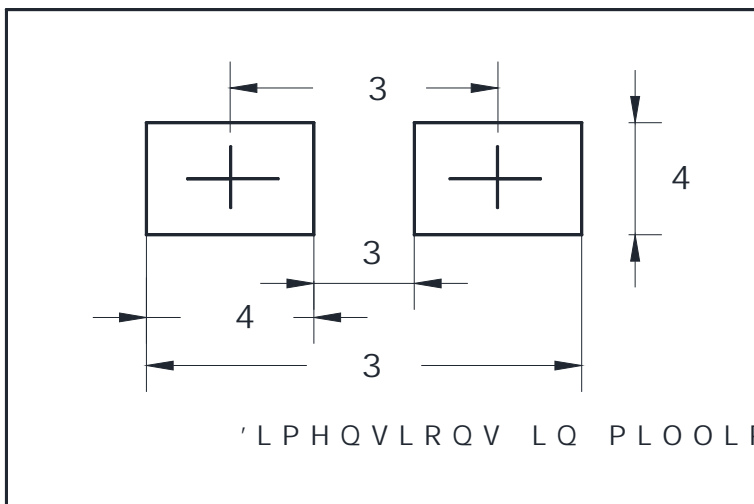


v 2 X W O L Q H ' L P H Q V L R Q V



' 2	\$ & 6 0 \$	
' LP	OLQ	OD [
\$		
%		
&		
'		
(
)		
*		
+		
,		

v 6 X J J H V W H G 3 D G / D \ R X W



' 2	\$ & 6 0 \$	
' LP	O L O O L P	H W H U V
3		
3		
3		
4		
4		

' L P H Q V L R Q V L Q P L O O L P H W H U V



6 6 \$ 4 7 + 5 8 6 6 \$ 4

' L V F O D L P H U

7 K H L Q I R U P D W L R Q S B F X P H Q O W H G L V L Q R W K U D W O H J U K R C X F H D R O O M L H (O H F W U R O L F H 7 H F K
U L J K W W R P D N H F K L D E J H R U Z W W K R W S M H F S L B R G X W W R O G R M S W D \ H G K H U H L Q W R V L B S
R U R W K H U Z L V H

7 K H S U R G X F W Q Q L V V W H H G L K O H U G L W R E H H X I O H G F V Z U W C L D X W U R P R V R M V O G P H V G L U O D H O H V I O R V W
D L Q L Q J R U < D D O M W E U R W V D E H R K O D I R O D H V S X P O W L Q I R O L W \ R U O L D E L O L W \ L R S U R S \
H U X V H R I V D O H

7 K L V S X E O L F D W L R H S O V D X F S H M U V D O O H V Q O R U F X S L R I Q H G U H Y R U R X G G L W L R Q D O W L E I R U P D V
K W V 8 Z \ D Q J M L H F W L ^ H g ð R U O R O L X V W D Q F H Q H D V Q H L F H